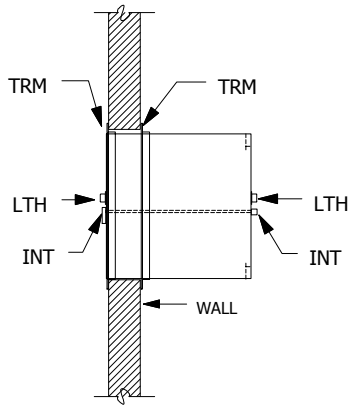
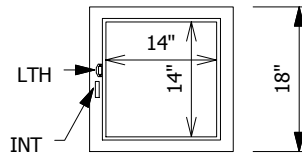


ELEVATION "B"



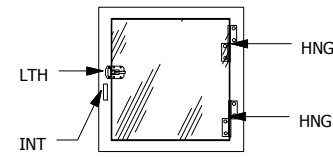
ELEVATION "A"

DOOR NOT SHOWN  
TRIM NOT SHOWN



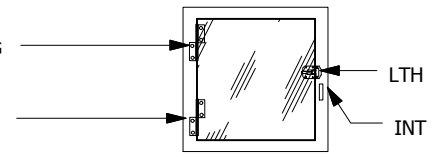
ELEVATION "A"

DOOR SHOWN  
TRIM NOT SHOWN

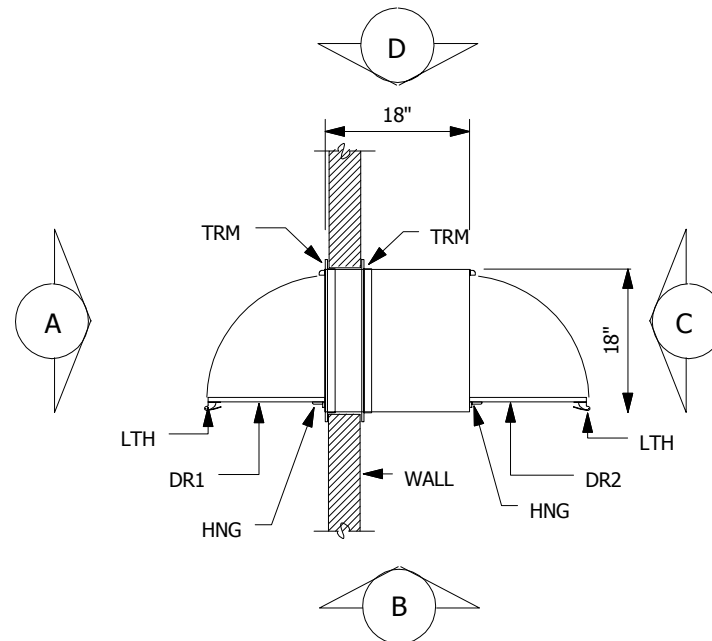


ELEVATION "C"

DOOR SHOWN  
TRIM NOT SHOWN



PLAN VIEW



LEGEND

- DR1=CLEAR ACRYLIC DOOR
- DR2=CLEAR ACRYLIC DOOR
- GSK=PEMCO 588W GASKET SEAL
- HNG=STAINLESS STEEL LIFT OFF DOOR HINGE
- INT=POLISHED ALUMINUM INTERLOCK LEVER
- LTH=CHROME PLATED SPRING LOADED DOOR CATCH
- TRM=1" x 1" 304 POWDER COATED STEEL TRIM ANGLE

- NOTES:
1. PASS THRU IS CONSTRUCTED OF A SINGLE WALL COLD ROLL STEEL WITH A WHITE POWDER COATED FINISH
  2. TRIM ANGLE IS SHIPPED LOOSE TO ALLOW FLEXIBILITY OF INSTALLATION
  3. THE PASS THRU HAS MECHANICAL INTERLOCKS
  5. WALL CUT OUT IS 5/8" LARGER THAN THE OUTSIDE DIMENSIONS OF THE PASS THRU
  6. THE I.D. DIMENSIONS SHOWN ON THE DRAWING REFLECT THE NET DOOR OPENING.
  7. ALL SEAMS HAVE A CONTINUOUS WELD



PO Box 427  
Rancho Cucamonga, CA 91729-0427  
Voice: (800) 913-0054  
Fax: (909) 483-1801

Drw# SWP181818	Title: PAINTED STEEL PASS THRU
Sheet:	Project name: