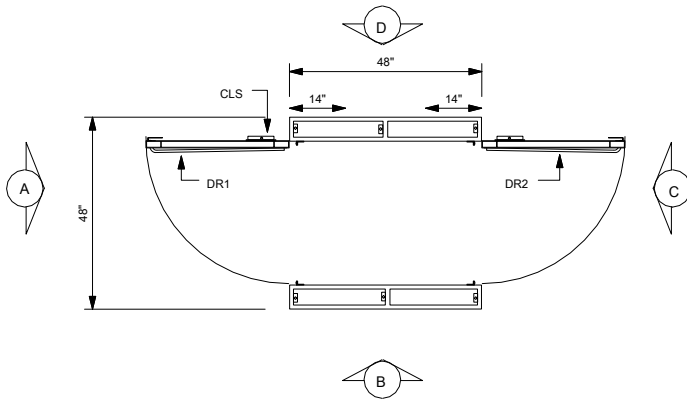
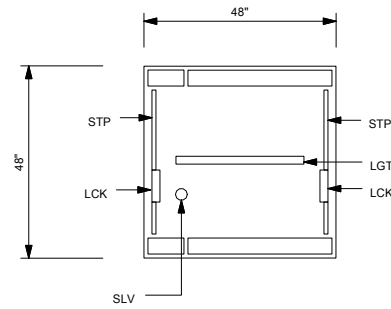


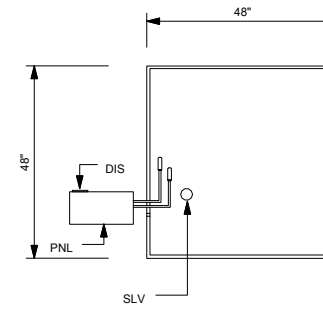
PLAN VIEW



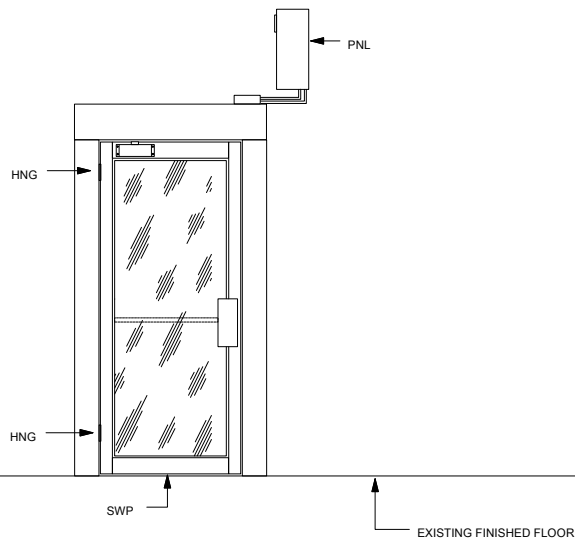
CEILING VIEW



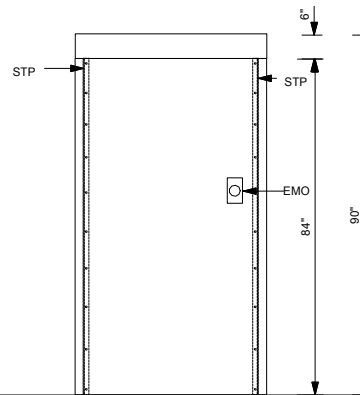
ROOF VIEW



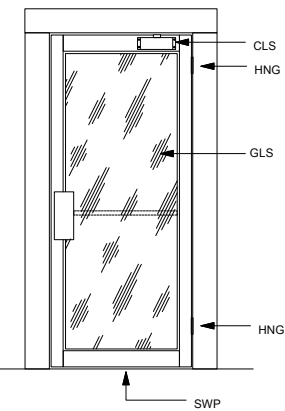
ELEVATION "A"



ELEVATION "B"



ELEVATION "C"



Notes:

1. The control panel is connected to the air shower with 8' of seal tight flex.
2. The air lock is shipped assembled except for doors.
3. The air lock is supplied with a sleeved penetration through the roofsection for installation of a sprinkler head. Sprinkler is by others.
4. The air lock does not have a floor. It uses the existing floor.

LEGEND

CLS=COMMERCIAL DUTY DOOR CLOSER
 EMO=EMERGENCY STOP SWITCH
 DR1=CLEAR ANODIZED ALUMINUM FRAME DOOR (ENTRY END)
 DR2=CLEAR ANODIZED ALUMINUM FRAME DOOR (EXIT END)
 GLS=0.25" THICK CLEAR TEMPERED GLASS
 HNG=4.5" NICKEL PLATED BUTT HINGE
 LGT=LED LIGHT FIXTURE
 PNL=NEMA 1 ENCLOSURE CONTROL PANEL
 SLV=SLEEVED PENETRATION THROUGH ROOF FOR INSTALLTION OF SPRINKER
 STP=PEMKO #285CPK DOOR SEALS
 SWP=PEMKO #307AV DOOR SWEEP



PO Box 427
 Rancho Cucamonga, CA 91729-0427
 Voice: (800) 913-0054
 Fax: (909) 483-1801

Drw# AL4848ST	Title: 48" x 48" AIR LOCK	
Sheet:	Project:	Date: